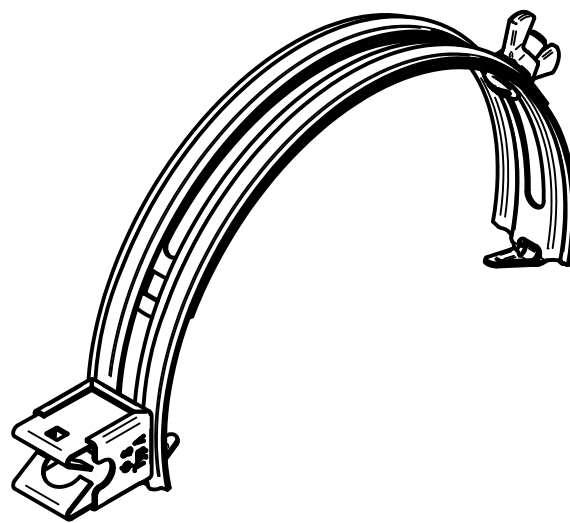
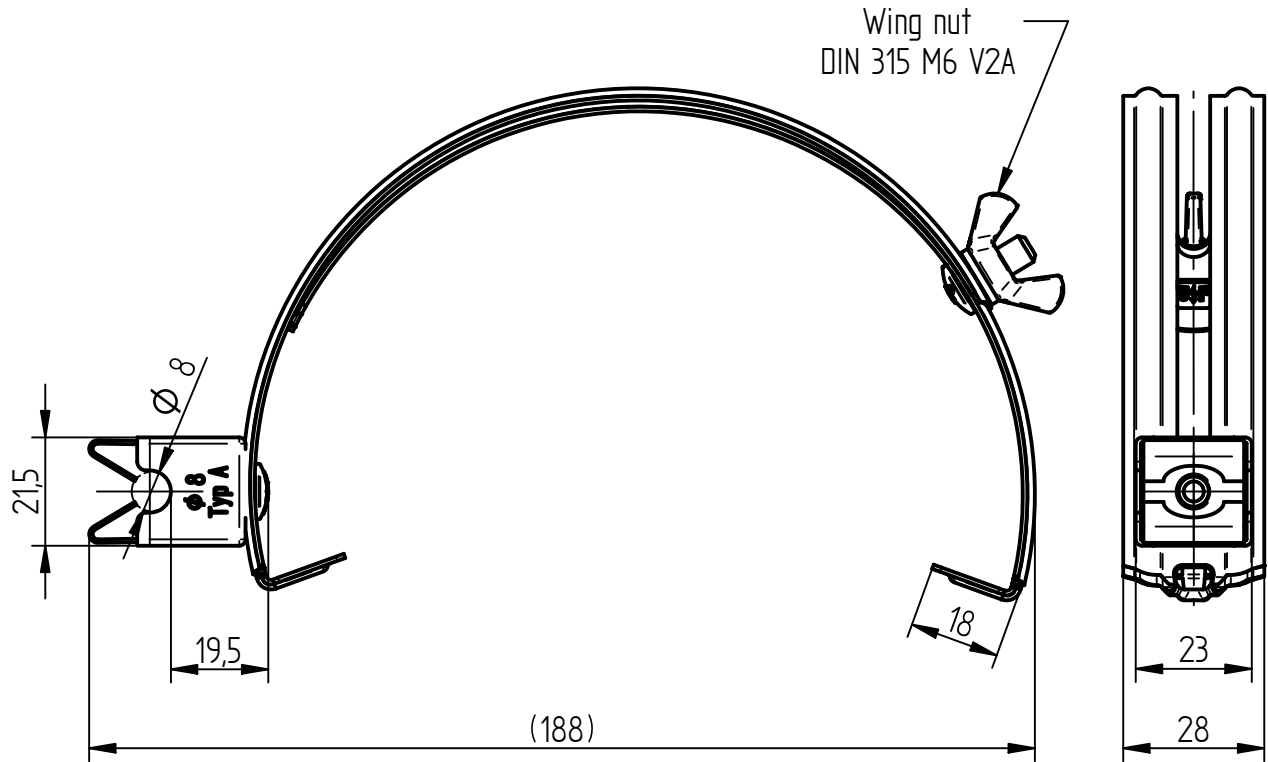


Product Specification

Ord.-No.: **111 144**

Specification: Roof conductor holder, V2A, Ø 8mm type A for ridge tiles

Performance: Adjustable roof conductor holder according to DIN EN 62561-4 for installing round conductors to ridge tiles.
Type with Niro-Clip conductor fastener.



Material	Stainless steel V2A
Height of conductor leading	19,5 mm
Fit of conductor fastener	Ø 8 mm
Conductor leading	fixed, type A
Weight	106 g
Standard reference	DIN EN 62561-4
Packing unit	100 units